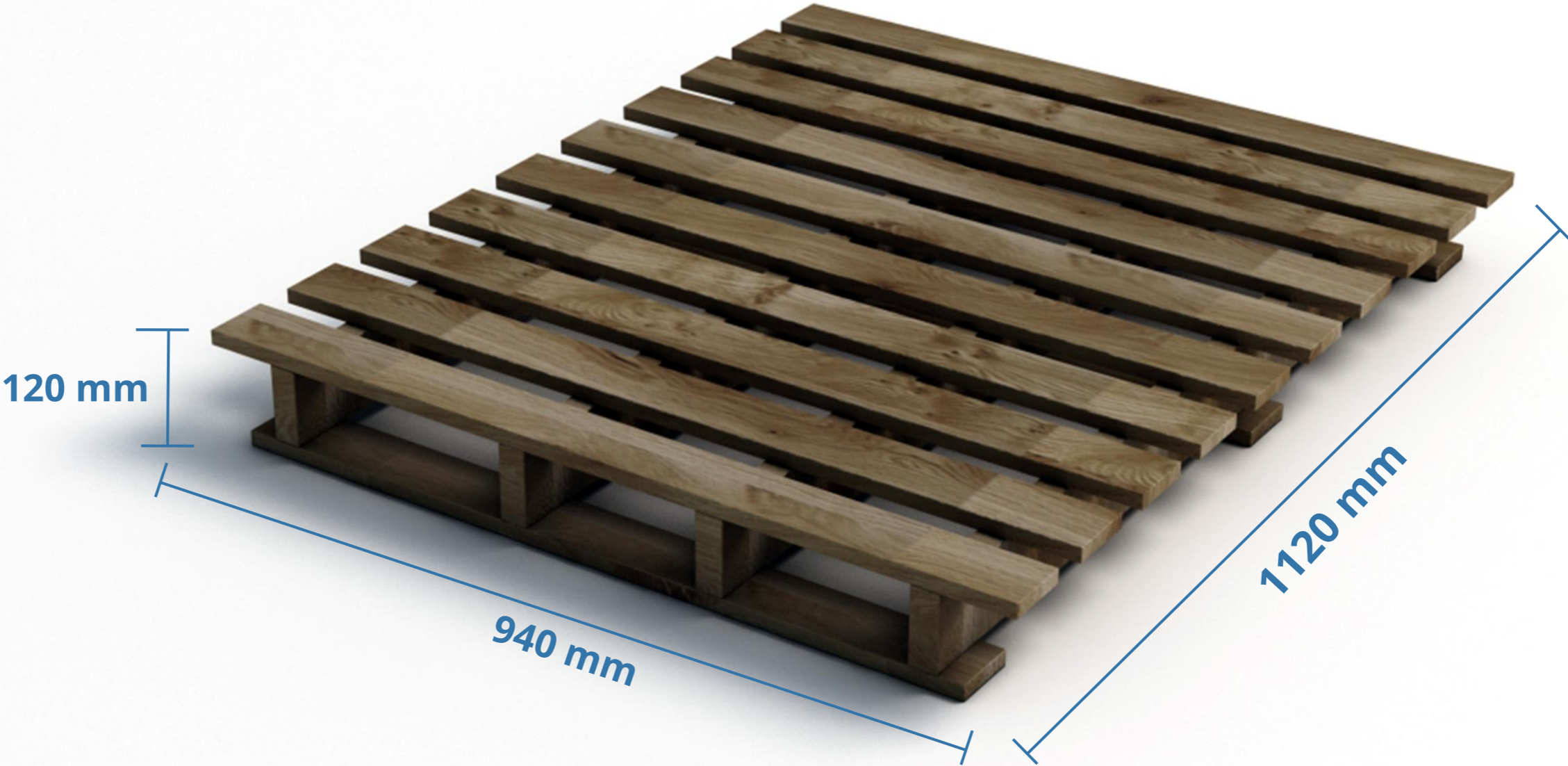




Export Pallet Packing Detail

750X1500MM TILES

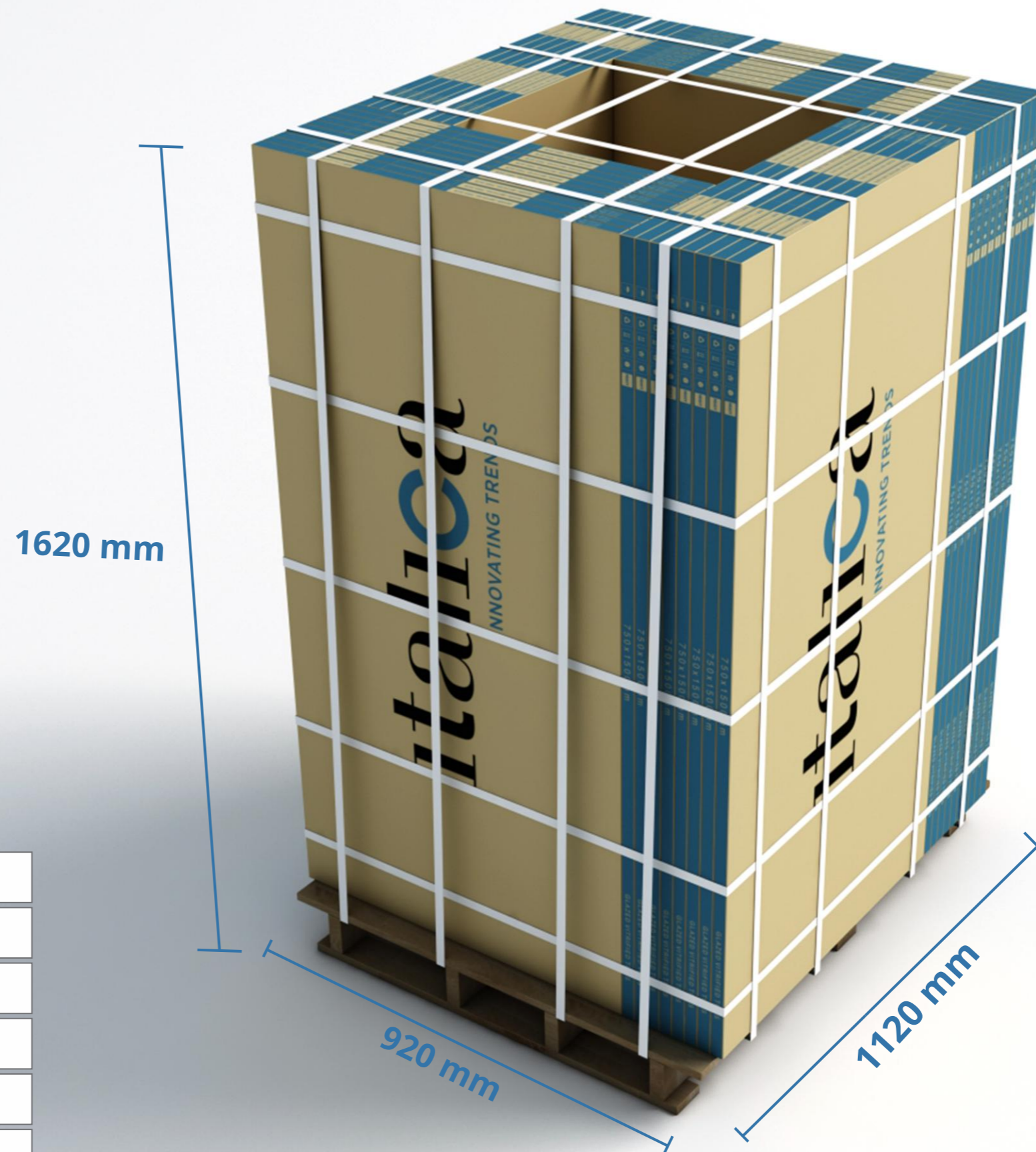
Empty Pallet - Pattern 01 (36 BOX)



Wood Base Pallet

750X1500MM TILES

36 Box Pallet - Pattern 01

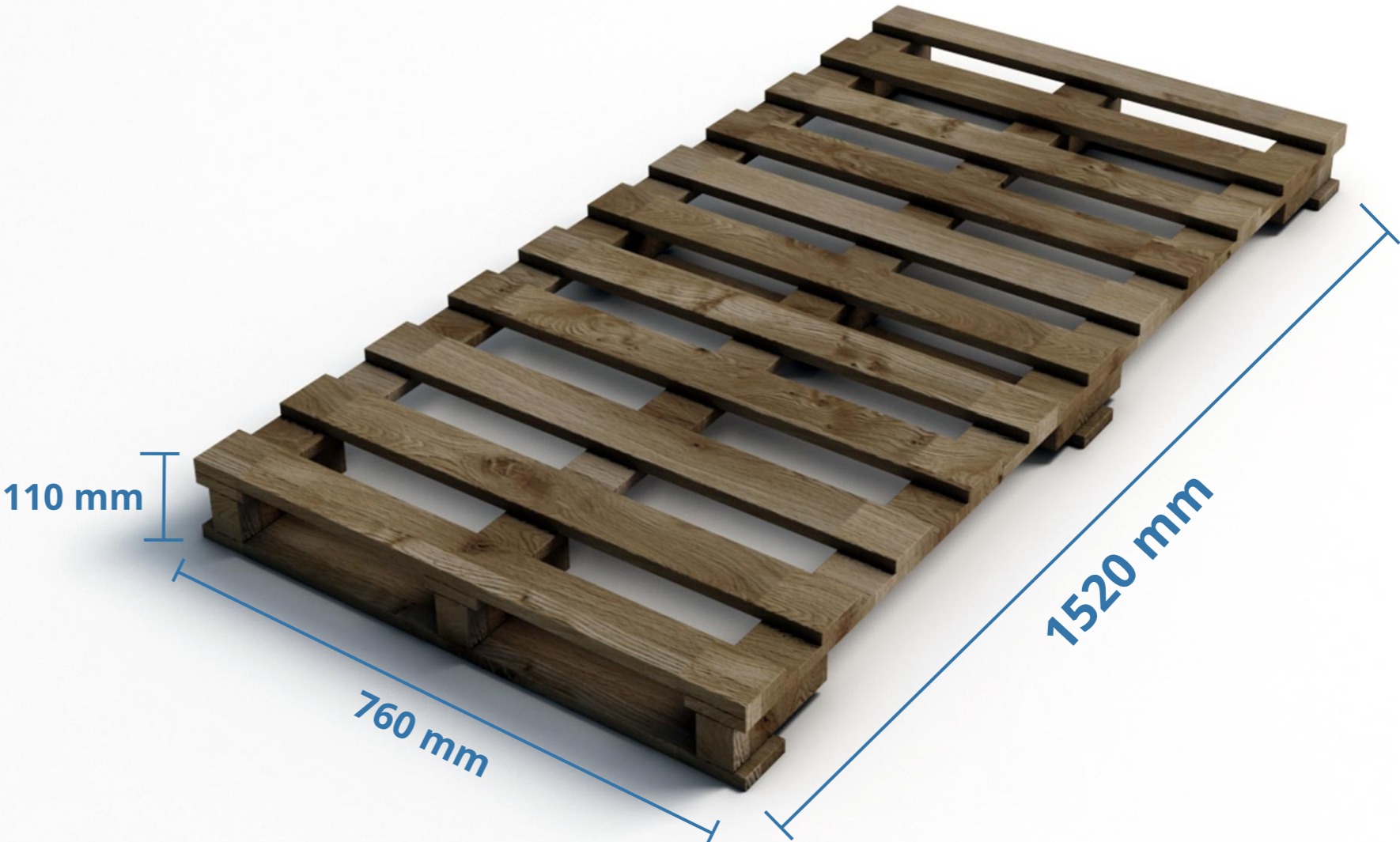


Pallet Packing Details

Tile Size(mm)	750x1500mm
Pcs. / Box	2
Sq. Mtr. / Box	2.25
No. of boxes / pallet	36
Box weight (approx.)	48.0 kgs.
Pallet weight (kgs. - approx.)	1760 kgs.

750X1500MM TILES

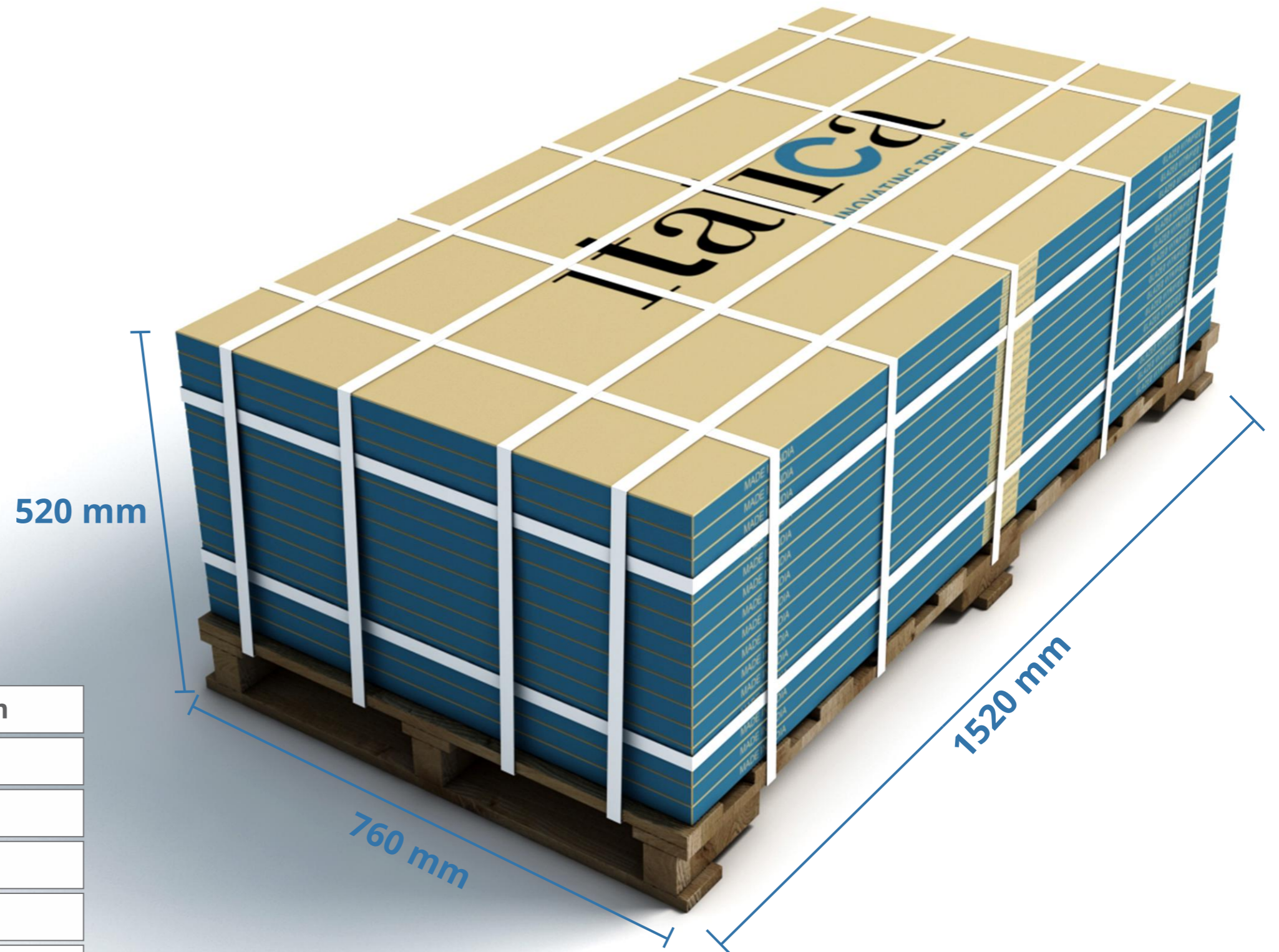
Empty Pallet - Pattern 01 (15 BOX)



Wood Base Pallet

750X1500MM TILES

15 Box Pallet - Pattern 01

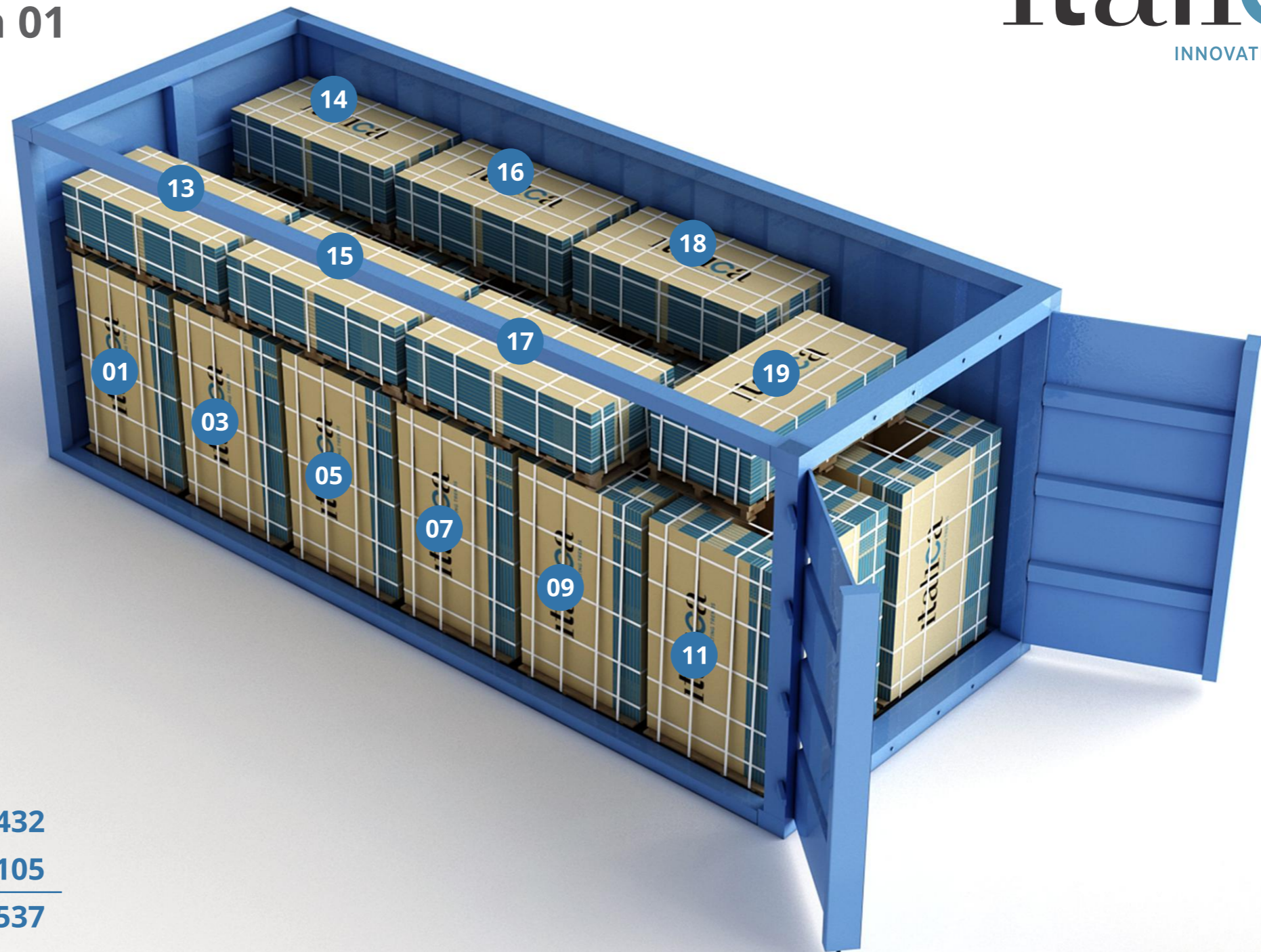


Pallet Packing Details

Tile Size(mm)	750x1500mm
Pcs. / Box	2
Sq. Mtr. / Box	2.25
No. of boxes / pallet	15
Box weight (approx.)	48.0 kgs.
Pallet weight (kgs. - approx.)	750 kgs.

1x20ft. CONTAINER (FCL)

750x1500mm Tiles - Pattern 01



Pallets (36 Box)	12	Box (36 Box)	432
Pallets (15 Box)	+07	Box (15 Box)	+105
Total Pallets	= 19	Total Box	= 537

Container Packing Details

No. of Pallets	19
Total Boxes	537
Total Sq. Mtr.	1208.25
Total Weight of FCL (approx.)	26370 kgs.

Pallet Layer

14		16		18		
02		04	06		08	10
01		03	05		07	09
13		15		17		
					19	12
						11

750X1500MM TILES - Pattern 01

BENEFIT:

- ❖ Less weight of the pallet which gives easy handling by forklifts.
- ❖ Taking out of boxes from the pallets is easy.

POINTS TO BE CONSIDERED:

- ❖ The boxes in the pallets can be slide or shifted in any one side during transit. Particularly where the pallets are to be transported in trucks or where pallets handling is more by forklifts, there are more chances of sliding or moving or shifting of boxes in any one side.



CORPORATE OFFICE & PLANT

Ikaa Granito Pvt. Ltd.

Matel Road, 8-A, National Highway,
Morbi - 363 621, Gujarat (INDIA)

M: + 91 97129 12033 / 9825605900

E: export@italicatiles.com | exports.ikaa@gmail.com

W: www.italicatiles.com